

# SILVER SHIELD CR<sup>®</sup> CHAIN

## STRONGER PROTECTION WITH THE TOP-PERFORMING CORROSION-RESISTANT COATING

Silver Shield CR<sup>®</sup> chain offers increased corrosion resistance when applications are subject to high-moisture or mildly caustic or acidic environments. Our standard heat-treated carbon-steel components coated with the zinc-based Silver Shield CR protection provide extended corrosion resistance. Increased reliability and an inventory of multiple sizes is available to help your operations experience less downtime.

- Specially formulated coating offers superior corrosion resistance in high-moisture environments and washdown applications
- Fewer chain replacements results in lower total cost of operations
- Maintains same working loads as carbon-steel chain
- Fully interchangeable with carbon-steel ANSI chains\*
- Full variety of sizes and configurations; custom engineering-class chain available (customer-specific stocking program also available)
- Available with chrome pin for increased wear life due to reduction in rate of wear between the pin and bushing

\*Interchangeable with stainless-steel ANSI chain. Contact your Drives representative for application review.



**Based on the industry standard salt-spray test, Silver Shield CR chain provides more than double the corrosion resistance of any other zinc-coated chain currently on the market.**

**1. Drives**

- USA
- Silver Shield CR
- 1,000+ hours
- Before rust showed



**2. Japan Manufacturer**

- 500 hours
- Rust showed



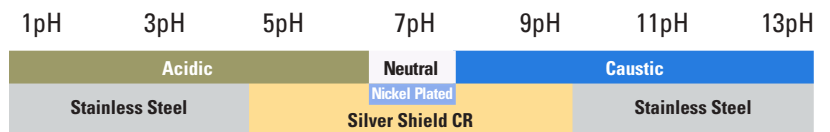
**3. Other USA Manufacturer**

- 400 hours
- Rust showed



**4. German Manufacturer**

- 300 hours
- Rust showed



**Note: As the pH becomes more acidic or caustic, a higher corrosion resistant stainless steel material may be required.**

### Applications

**Food and Beverage**

- Washdown applications
- Incidental contact with food (no direct contact with food)
- pH levels between 5 and 9

**Packaging**

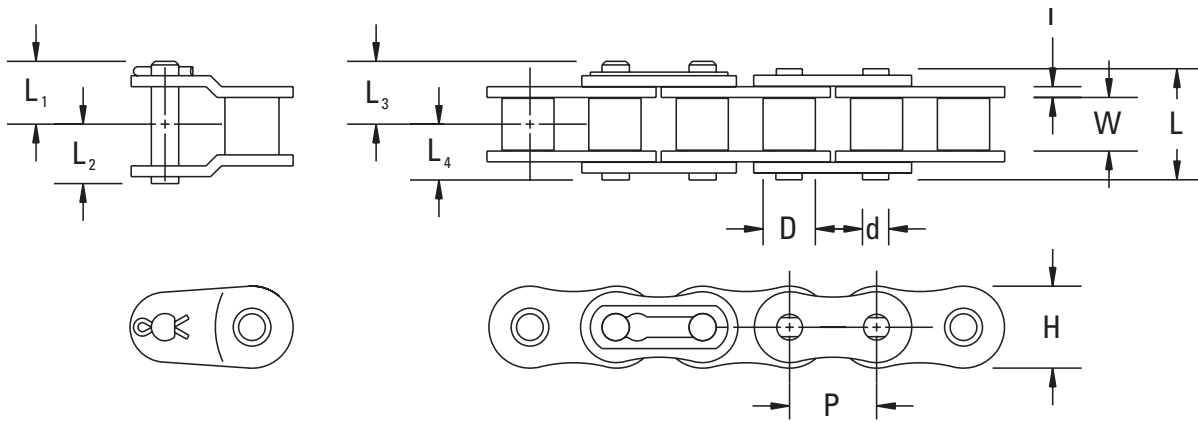
- Washdown applications
- pH levels between 5 and 9

**Agriculture**

- Used on planters and sprayers in agriculture applications

**General**

- Washdown applications
- Chains exposed to weather conditions
- Environments with moisture exposure or high humidity



**SILVER SHIELD CR CHAIN**

| Chain No. | Pitch<br>P     | Main Roller<br>Link Inside<br>Width<br>W | Roller<br>Dia.<br>D | Link Plate     |               | Pin            |                |                |                |                |                | Average<br>Weight<br>lbs./ft.<br>kg/m |
|-----------|----------------|--|---------------------|----------------|---------------|----------------|----------------|----------------|----------------|----------------|----------------|---------------------------------------|
|           |                |  |                     | H              | T             | d              | L              | L <sub>1</sub> | L <sub>2</sub> | L <sub>3</sub> | L <sub>4</sub> |                                       |
|           | in.<br>mm      | in.<br>mm                                | in.<br>mm           | in.<br>mm      | in.<br>mm     | in.<br>mm      | in.<br>mm      | in.<br>mm      | in.<br>mm      | in.<br>mm      | in.<br>mm      | in.<br>mm                             |
| 40CR      | 0.500<br>12.70 | 0.312<br>7.92                            | 0.312<br>7.92       | 0.472<br>11.99 | 0.060<br>1.52 | 0.156<br>3.96  | 0.630<br>16.00 | 0.404<br>10.26 | 0.317<br>8.05  | 0.377<br>9.58  | 0.315<br>8.00  | 0.420<br>0.625                        |
| 50CR      | 0.625<br>15.88 | 0.376<br>9.55                            | 0.400<br>10.16      | 0.590<br>14.99 | 0.080<br>2.03 | 0.200<br>5.08  | 0.795<br>20.19 | 0.489<br>12.42 | 0.399<br>10.13 | 0.489<br>12.42 | 0.398<br>10.11 | 0.713<br>1.061                        |
| 60CR      | 0.750<br>19.05 | 0.500<br>12.70                           | 0.469<br>11.91      | 0.705<br>17.91 | 0.094<br>2.39 | 0.234<br>5.94  | 0.996<br>25.30 | 0.600<br>15.24 | 0.498<br>12.65 | 0.648<br>16.46 | 0.498<br>12.65 | 1.067<br>1.588                        |
| 80CR      | 1.000<br>25.40 | 0.626<br>15.90                           | 0.625<br>15.88      | 0.943<br>23.95 | 0.125<br>3.18 | 0.313<br>7.95  | 1.283<br>32.59 | 0.768<br>19.51 | 0.638<br>16.21 | 0.857<br>21.77 | 0.642<br>16.31 | 1.868<br>2.780                        |
| 100CR     | 1.250<br>31.75 | 0.755<br>19.18                           | 0.750<br>19.05      | 1.180<br>29.97 | 0.156<br>3.96 | 0.375<br>9.53  | 1.595<br>40.51 | 0.908<br>23.06 | 0.785<br>19.94 | 0.912<br>23.16 | 0.785<br>19.94 | 2.680<br>3.988                        |
| 120CR     | 1.500<br>38.10 | 1.000<br>25.40                           | 0.875<br>22.23      | 1.425<br>36.20 | 0.187<br>4.75 | 0.437<br>11.10 | 1.955<br>49.66 | 1.119<br>28.42 | 1.071<br>27.20 | 1.119<br>28.42 | 0.989<br>25.12 | 3.980<br>5.923                        |
| 140CR     | 1.750<br>44.45 | 1.000<br>25.40                           | 1.000<br>25.40      | 1.663<br>42.24 | 0.220<br>5.59 | 0.500<br>12.70 | 2.136<br>54.25 | 1.253<br>31.83 | 1.150<br>29.21 | 1.253<br>31.83 | 1.068<br>27.13 | 5.030<br>7.485                        |
| 160CR     | 2.000<br>50.80 | 1.250<br>31.75                           | 1.125<br>28.58      | 1.889<br>48.23 | 0.250<br>6.35 | 0.562<br>14.27 | 2.538<br>64.47 | 1.454<br>36.93 | 1.370<br>34.80 | 1.454<br>36.93 | 1.209<br>30.71 | 6.790<br>10.105                       |

NOTE: Dimensions are subject to change. Contact your Drives representative to obtain certified prints for design and construction.  
 NOTE: Solutions used in washdown applications may not be compatible with Silver Shield CR coating. Contact your Drives representative for more information.

**Backed by Timken**

With Silver Shield CR chain, you have the benefit of Timken technical support and engineering expertise. The strength of our CoLinX distribution network gives you access to the right product at the right time, while offering a cost savings in shipping and handling.

**For More Information:** 1-800-435-0782 Fax: 1-815-589-4420



**CHOOSE TIMKEN**

See why Timken is your expert in bearings and mechanical power transmission by visiting our catalogs at [www.timkencatalogs.squawq.com](http://www.timkencatalogs.squawq.com) or scanning the QR code at left.

**⚠ WARNING**  
*Failure to observe the following warnings could create a risk of death or serious injury.*

Do not weld to Silver Shield CR® chain as it will release toxic fumes.



The Timken team applies their know-how to improve the reliability and performance of machinery in diverse markets worldwide. The company designs, makes and markets high-performance mechanical components, including bearings, belts, chain, gears and related mechanical power transmission products and services.

**Stronger. By Design.**

[www.timken.com/drives](http://www.timken.com/drives)