



PIN OVEN ROLLER CHAIN

*Every Calling is Great, When Greatly Pursued.*

OLIVER WENDELL HOLMES

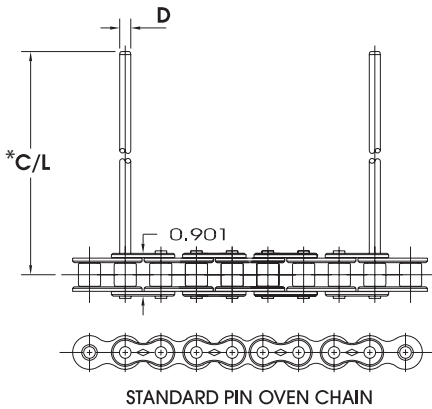


At the Diamond Chain Company, the calling to design and manufacture the world's highest-performing roller chain is greatly pursued every day by teams of passionate technical experts who have made your success their life's work. It's that intensity of focus that some of the world's greatest inventors trusted to provide the drive chains they needed to transform the world. From the Wright Brothers, to Henry Ford, to the global leaders of our time, Diamond® chain is the roller chain most trusted to perform, when performance matters most.

## DIAMOND PIN OVEN CHAIN

Diamond pin oven chains are built with Diamond ASME/ANSI 60 pitch chain and are available with bendable, breakaway, or stainless steel carrier pins. Diamond pin oven chains are designed with carrier pins that are the actual chain pins, not an attachment, to improve the strength and integrity of the chain, and increase the overall life span of the chain.

- **Bendable Pins:** Through-hardened medium carbon extended carrier pins are manufactured to produce a tough, ductile pin that is capable of withstanding incidental contact from jams or interference with machine framework. These pins are designed to be easily hand straightened back to their original position.
- **Breakaway Pins:** Case-hardened, low carbon extended carrier pins are manufactured to break off from incidental contact with jammed product, the machine frame, or other obstacles due to misalignment.



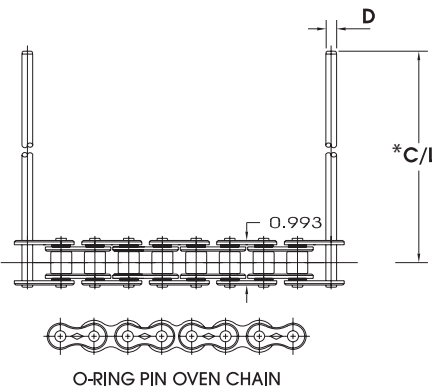
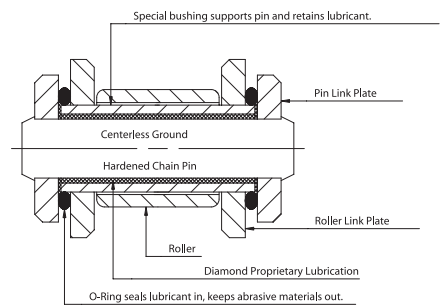
Dimensions in Inches

ASME/ANSI Number	Pitch Inches	Roller Width	Roller Diameter	Pin Diameter	Link Plate Thickness	C	R	Pounds Per Foot	Average Tensile Strength
60	3/4	1/2	.469	.234	.094	1.11	1.04	.990	8500

\*C/L dimension will depend upon tip and pin extension selected.

## DIAMOND RING LEADER® O-RING PIN OVEN CHAIN

Diamond RING LEADER pin oven chains are built with Diamond Chain's O-Ring technology to seal lubricant in and keep contaminants out at operating temperatures up to 450° F. RING LEADER pin oven chain can be manufactured with bendable, breakaway, or stainless steel carrier pins.



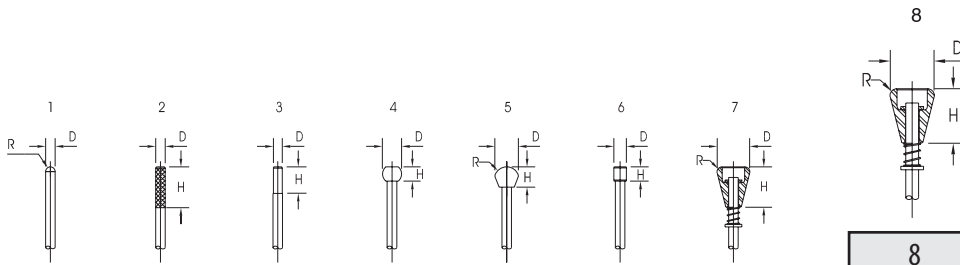
Dimensions in Inches

Diamond Number	Pitch Inches	Roller Width	Roller Diameter	Pin Diameter	Link Plate Thickness	C	R	Pounds Per Foot	Average Tensile Strength
50XL0	5/8	3/8	.400	.200	.095	0.950	.89	.72	6500
60XL03	3/4	1/2	.469	.234	.094	1.17	1.13	1.01	7700

\*C/L dimension will depend upon tip and pin extension selected.

## DIAMOND PIN OVEN CHAIN TIP ASSORTMENT

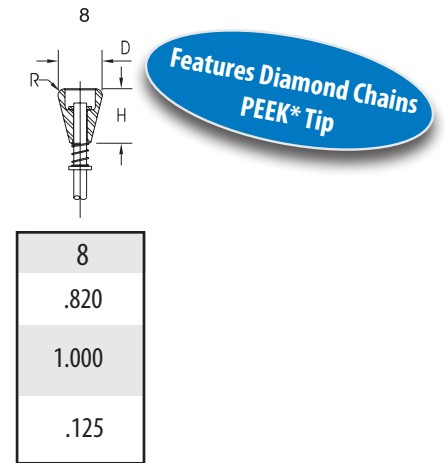
Diamond Chain produces over fifty different tips and pin extensions for pin oven chain use. These tips are available in many materials including steel, aluminum, heat stabilized nylon, and Diamond Chain's proprietary high temperature PEEK™ which is designed to withstand higher temperatures without drying, cracking, or wearing out. The following are the most common tips, additional tip and pin extension information can be found by contacting the Diamond Chain Company at 1-800-872-4246 or at [www.diamondchain.com](http://www.diamondchain.com).



Dimensions in Inches

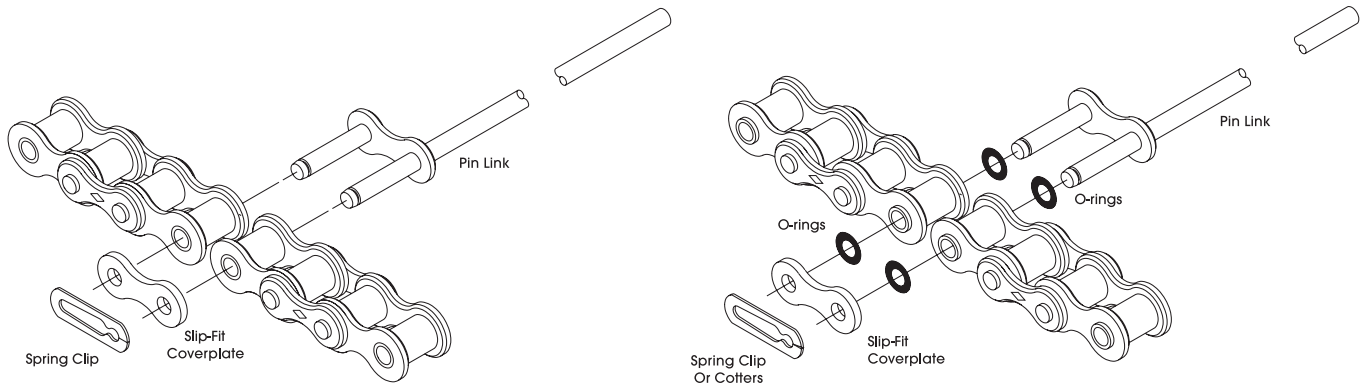
	1	2	3	4	5	6	7
<b>D</b>	.234	.247	.215	.468	.575	.352	.875
<b>H</b>	N/A	1.000	.650	.350	.472	.350	1.000
<b>R</b>	.117	N/A	N/A	N/A	.300	N/A	45 deg.

Tips 1-7 are made to order. Tip 8 is in stock.



## DIAMOND PIN REPLACEMENT

Diamond pin oven chains are designed without the swaged pin heading so that if a link should need to be repaired, it can be done quickly and easily without grinding pins. Start by removing the air pressure in the tension device and clamp the chain in place. Use a pin extractor to remove the pin link and replace with a repair link. The chain is then ready to resume production.



## ORDERING INSTRUCTIONS

**Ordering Instructions:** Use the above drawing showing available tips and specify whether Standard or RING LEADER base chain is desired, type of pin material (bendable, breakable, or stainless), type of tip configuration, and the extension from the **centerline** of the chain to the end of the pin including the tip.

\*PEEK is a trademark of Amoco Performance Products, Inc.

**North America**

Corporate Headquarters  
402 Kentucky Avenue  
Indianapolis, Indiana 46225  
PH: 1-800 US CHAIN  
(1-800-872-4246)  
Fax: 1-317-613-2243

Dallas Service Center  
9120 Premier Row  
Dallas, Texas 75247  
PH: 1-800-872-4246  
Fax: 1-214-631-2374

Sacramento Service Center  
1075 Triangle Court  
West Sacramento, California 95605  
PH: 1-800-872-4246  
Fax: 1-916-372-5801

Canada/Mexico  
PH: 1-317-638-6431

[www.diamondchain.com](http://www.diamondchain.com)

**United Kingdom**

Unit 7 – 9  
Blaydon Industrial Park  
Chainbridge Road  
Blaydon on Tyne  
NE21 5AB  
PH: +44-191-414-8822  
[sales@diamondchain.co.uk](mailto:sales@diamondchain.co.uk)

[www.diamondchain.co.uk](http://www.diamondchain.co.uk)

**Asia**

Century Financial Tower, Unit 2005  
No. 1 Suhua Road, SIP, Suzhou  
Jiangsu Province, China 215021  
PH: +86 512-6265-3075  
[salescn@diamondchain.com](mailto:salescn@diamondchain.com)

